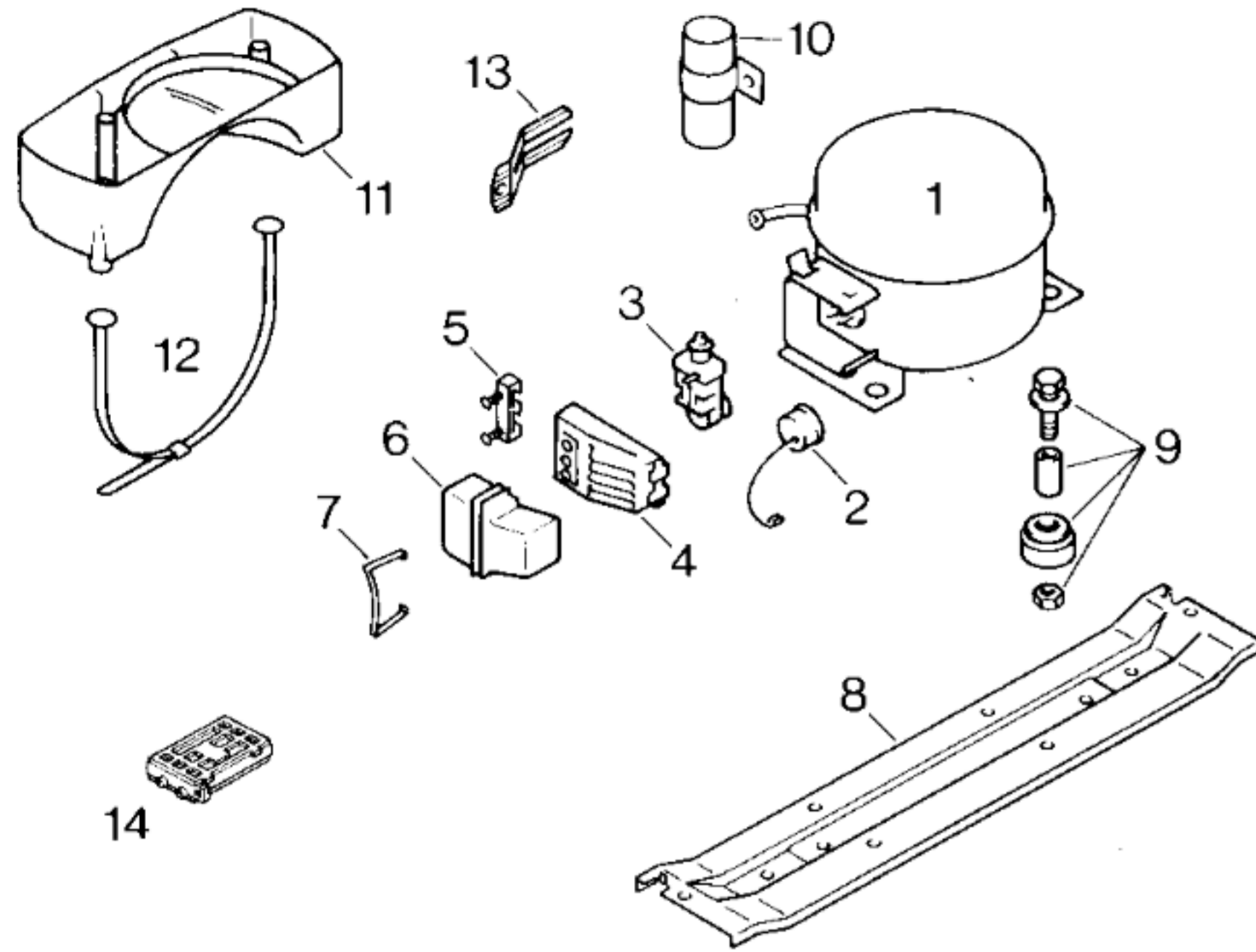


51 1507/00
EU1
Gebrauchsanweisung
(D)
51 1508/00
EU1
Aufstellanleitung
(D)



| TECHNISCHE DATEN / TECHNICAL DATA / DONNEES TECHNIQUES | | | | |
|--|-----------------|----------|------|---------|
| Verdichter/Compressor/Compresseur | | Zanussi | | |
| Typ/Type | | E 44.601 | | |
| Förderleistung/Delivery/Débit | l/h | 789 | | |
| Anlaufstrom/Starting current/Cour. de démarrage | A | 6,75 | | |
| Widerstand/Resistance/Résistance | Ha/main/prin. | Ω | 22,8 | |
| | Hi/aux | Ω | 61,6 | |
| Temp.-Regler/Thermostat | | Ranco | | |
| Typ/Type | | A 59 | | |
| Reglerstellung/Position | | kalt | warm | |
| Schaltwerte/Switching values/ | „ein“ | °C | + 5 | + 5 |
| Valeurs de commutation | „aus“ | | - 26 | - 15,5 |
| | („abtauen“ od.) | | | „alarm“ |
| Füllmenge/Fill.quantity/Charge | R12 | g | 110 | |
| Anschlußwert/Conn.load/Puiss. connectée | | W | 120 | |
| Heizung/Heater/Chauffage | | | | |
| Widerstand/Resistance/Résistance | | Ω | | |
| Leistung/Power/Puissance | | W | | |
| Ventilator/Blower/Ventilateur | | | | |
| Widerstand/Resistance/Résistance | | Ω | | |
| Magnetventil/Magnetic valve/Electrovanne | | | | |
| Widerstand/Resistance/Résistance | | Ω | | |
| Spannung/Voltage/Tension | | V | | |

| Pos. | EU 1 | | | |
|------|--------------|--|--|--|
| | Zanussi | | | |
| 1 | 14 0048/45 | | | |
| 2 | 02 1002/08 | | | |
| 3 | 02 1003/08 | | | |
| 4 | 04 0055/05 | | | |
| 5 | | | | |
| 6 | 04 9959/03 | | | |
| 7 | 01 9846/01/2 | | | |
| 8 | | | | |
| 9 | 05 0166/05/4 | | | |
| 10 | | | | |
| 11 | 11 3334/03 | | | |
| 12 | | | | |
| 13 | | | | |
| 14 | 05 3804/7 | | | |