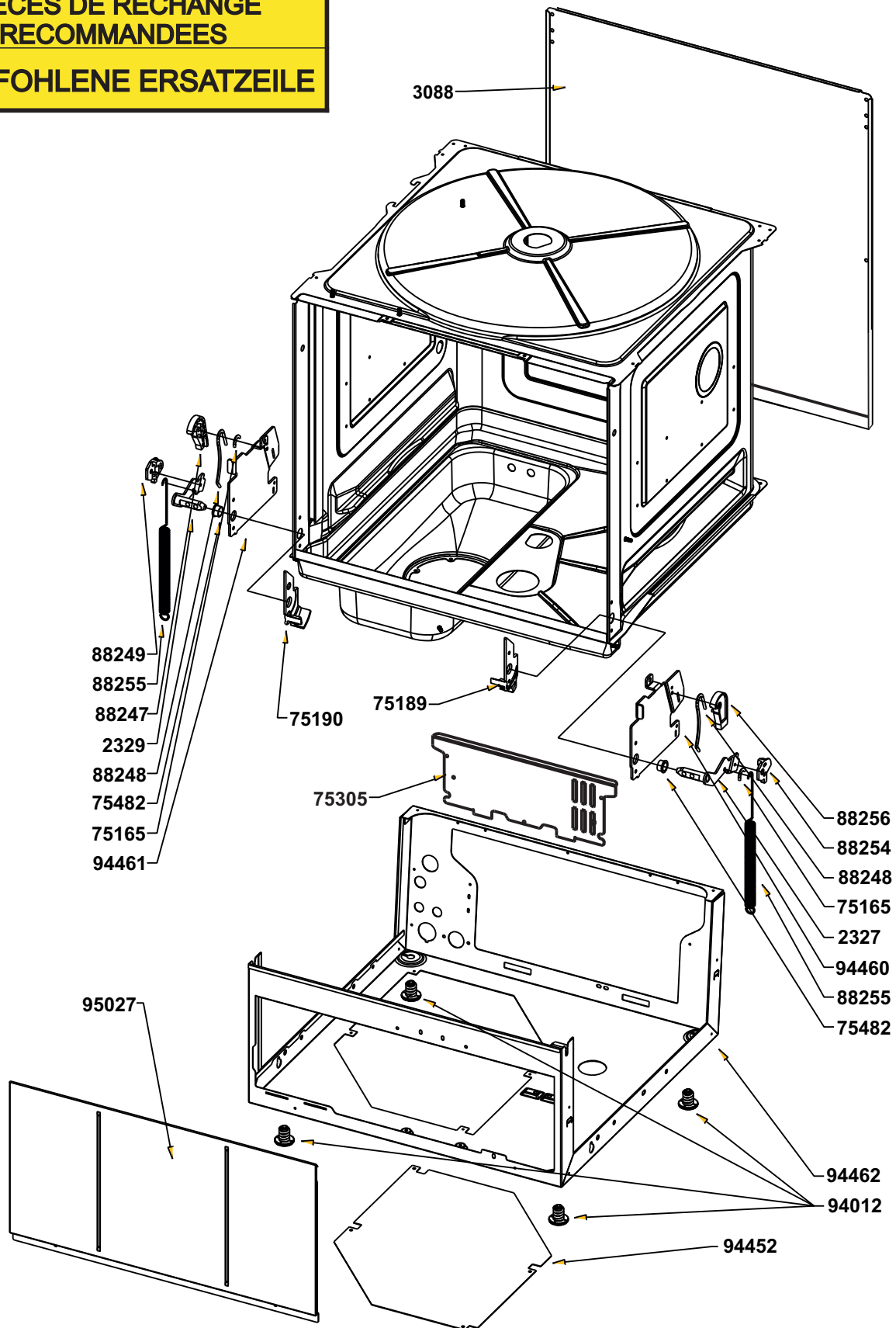


RICAMBI CONSIGLIATI

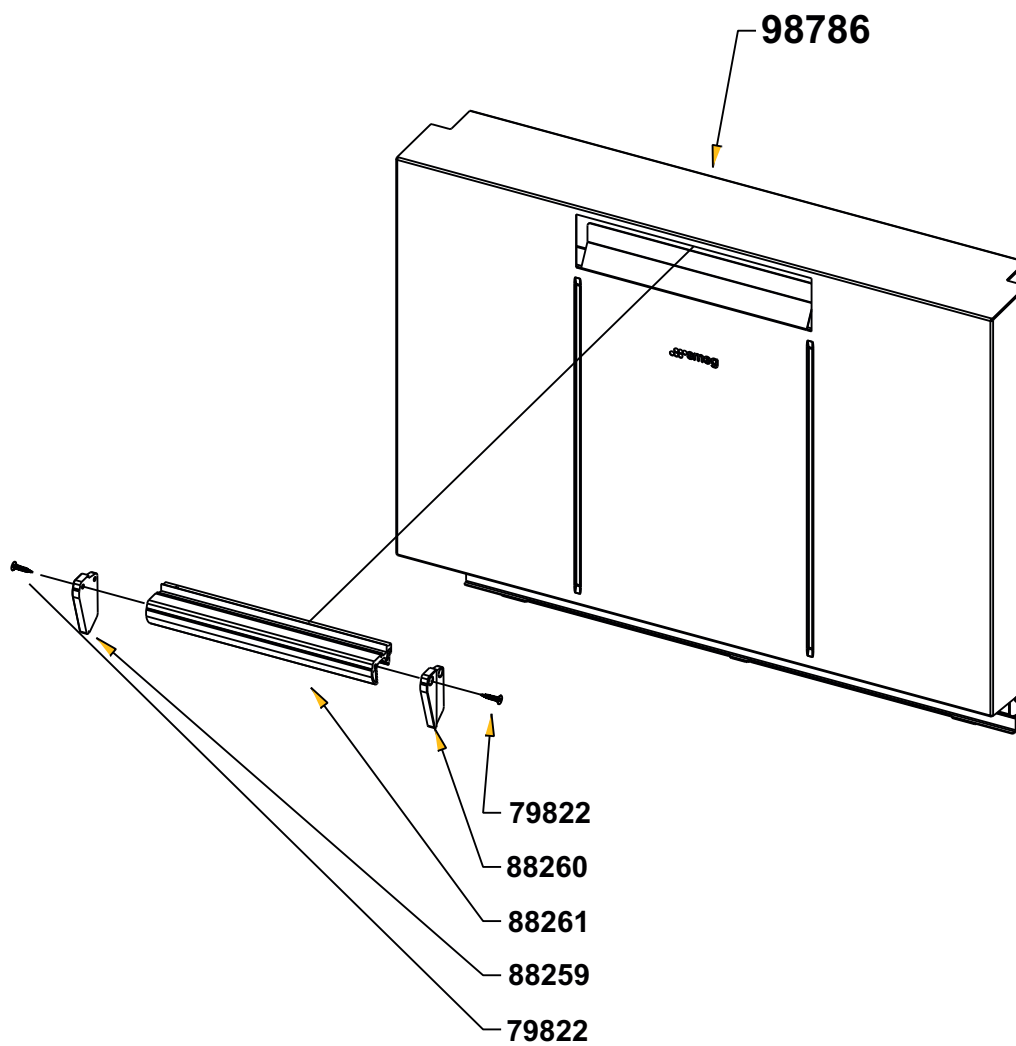
RECOMMENDED PARTS

PIECES DE RECHANGE
RECOMMANDEES

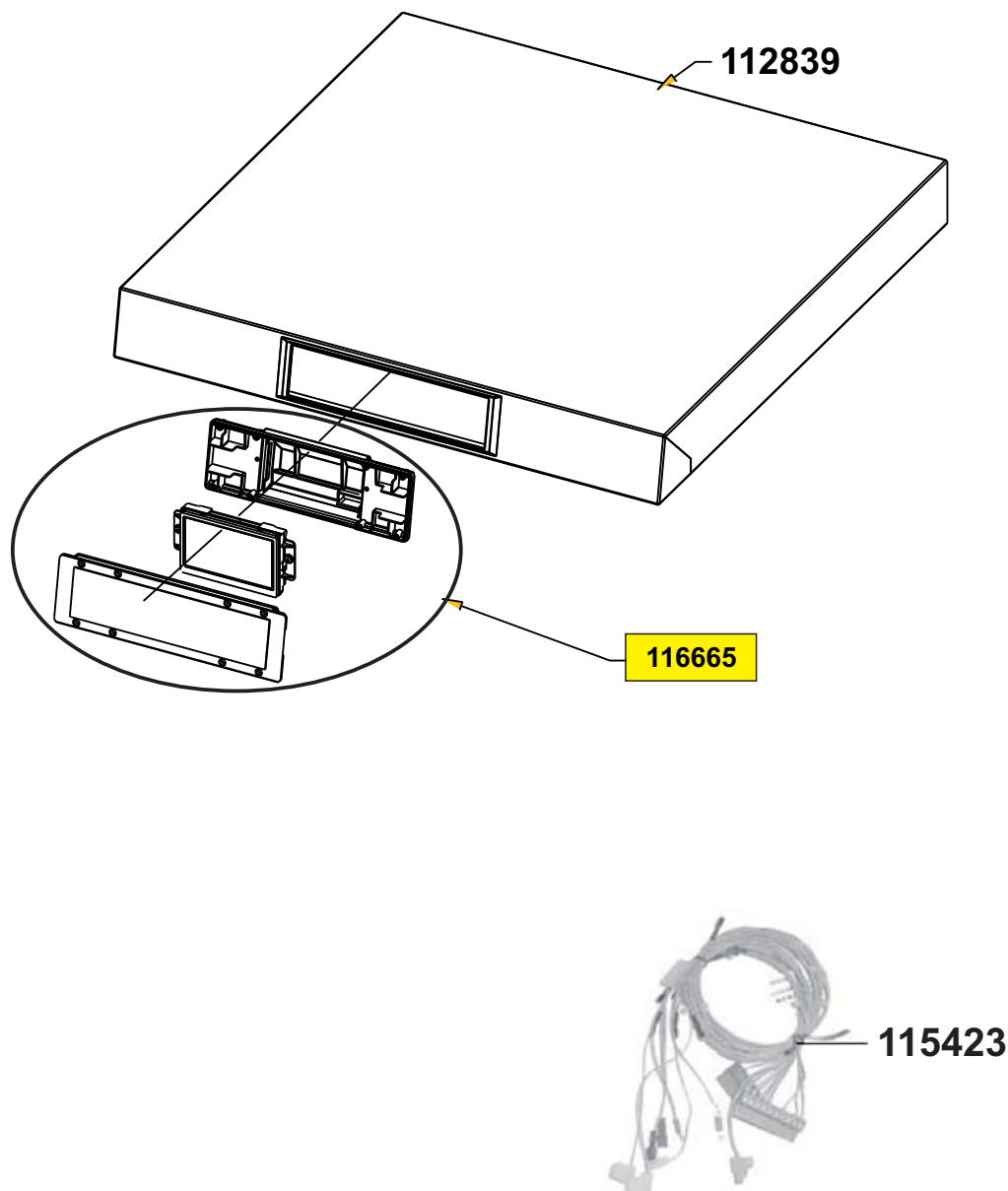
EMPFOHLENE ERSATZTEILE

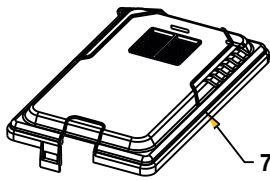


VERSIONE MANIGLIA SMEG



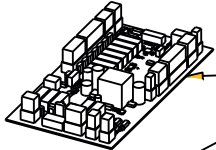
VERSIONE TOP 2016





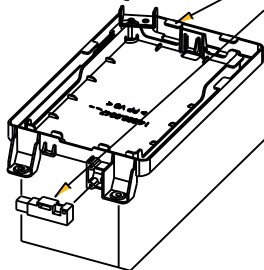
75332

IT.	EN.	FR.
gen.	generic	générique

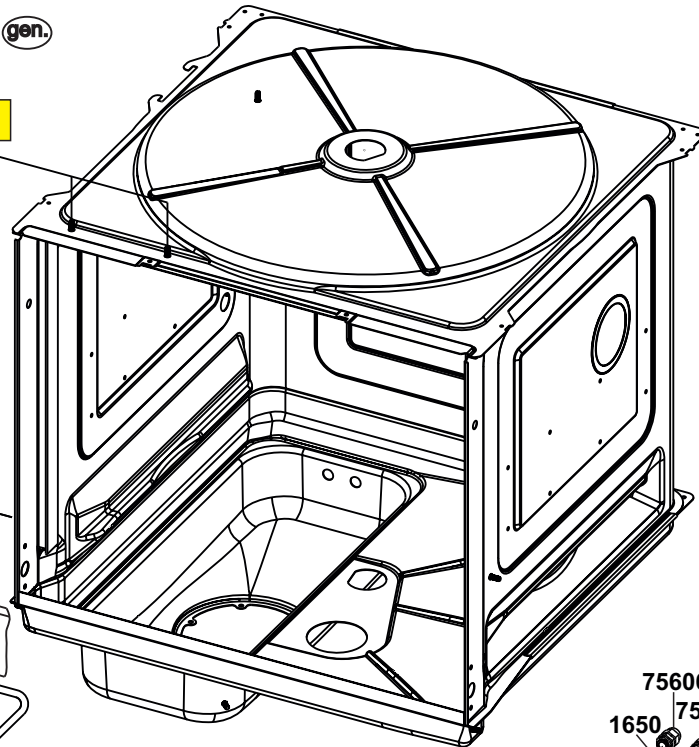


114246

gen.



75240



75513

18497

85885

75448

75447

75606

1650

75607

1652

75607

1650

94015

75187

78317

106495

112835

111329

104308

114954

Rs

114953

Az

111513

Nt

114124

75553

88216

94004

DET.

94005

BRIL.

TARGHETTA x TUBI
PLATE x HOSE

90194

75475

88215

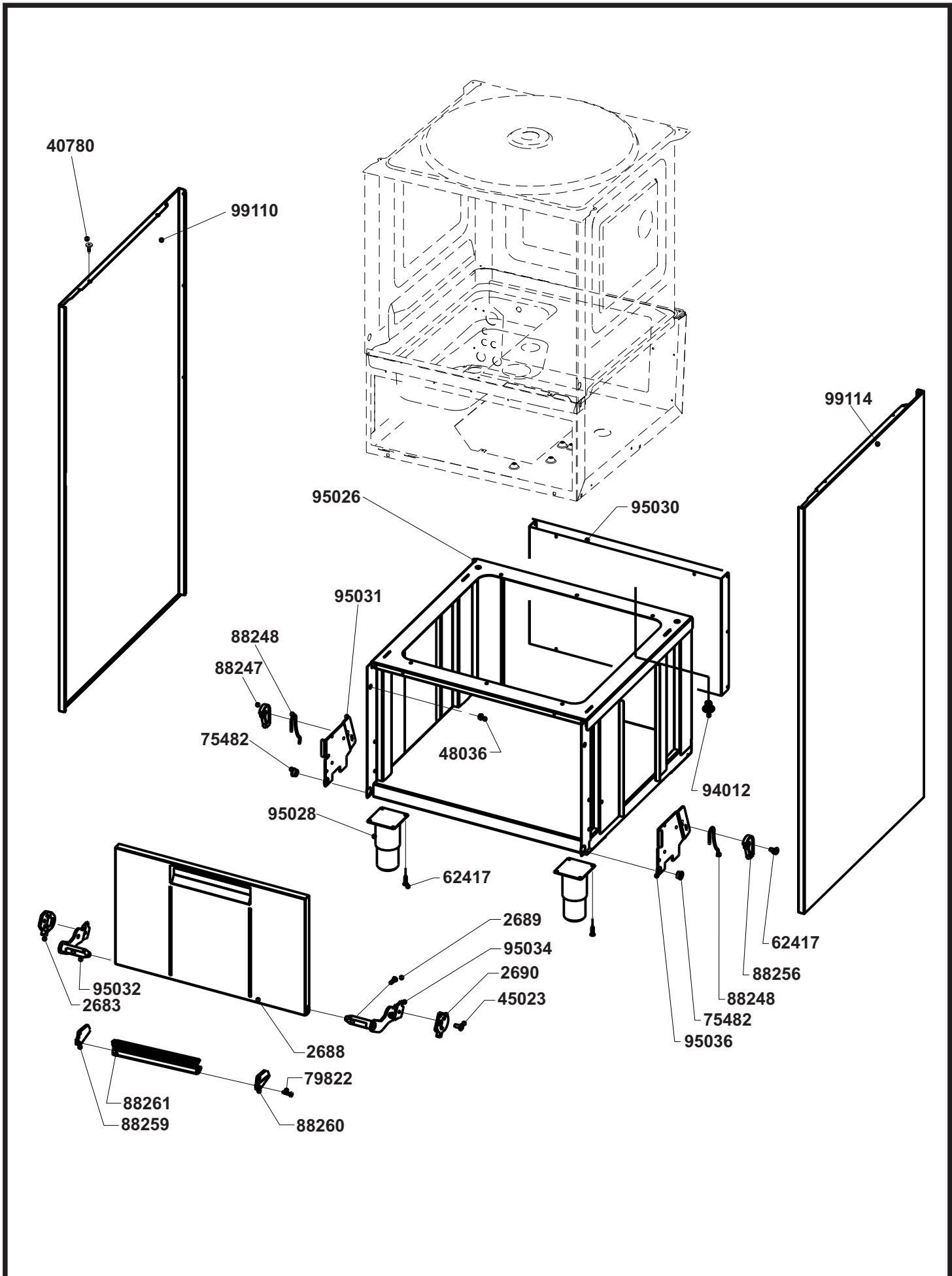
113412

75552

113411

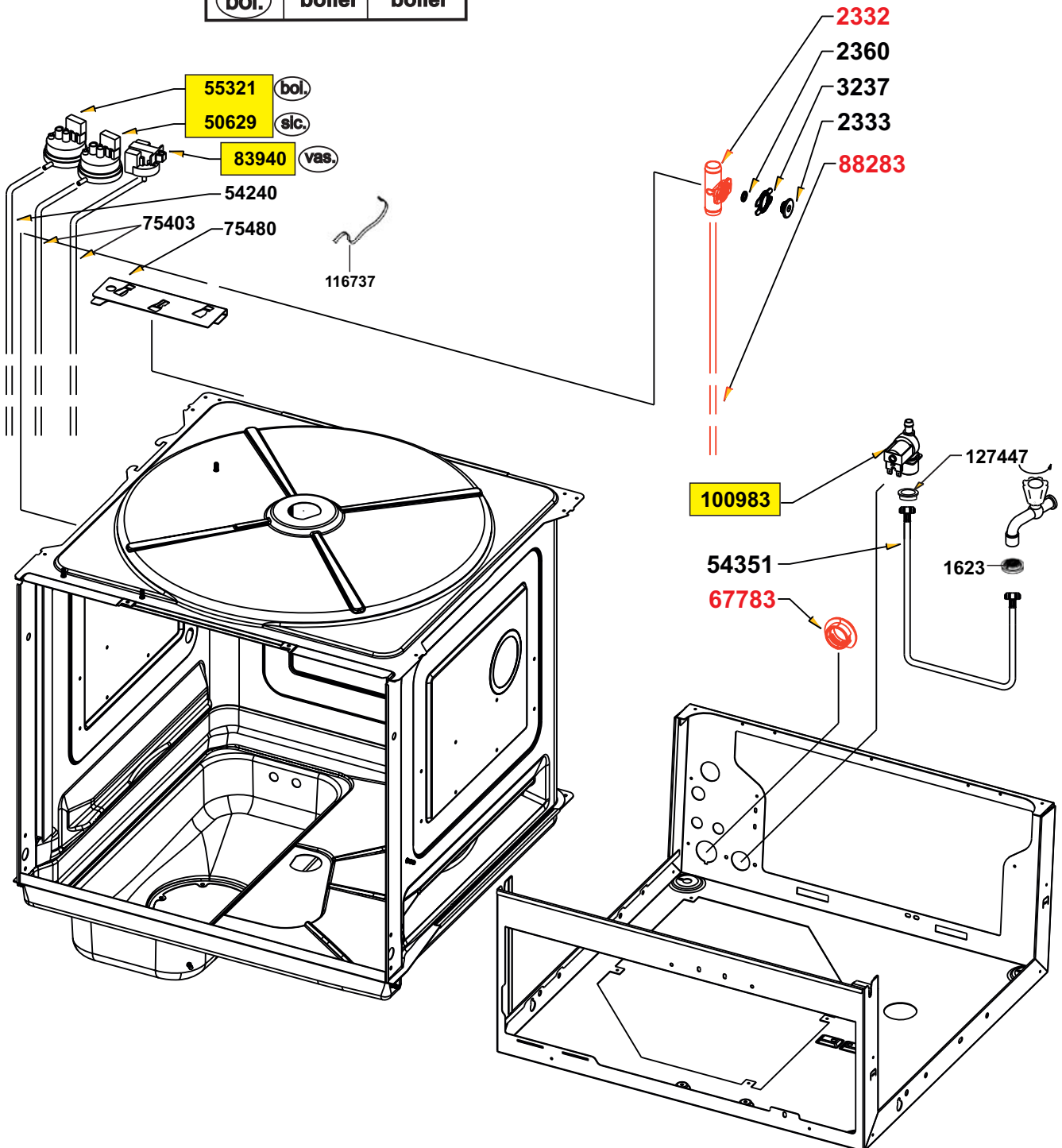
106414

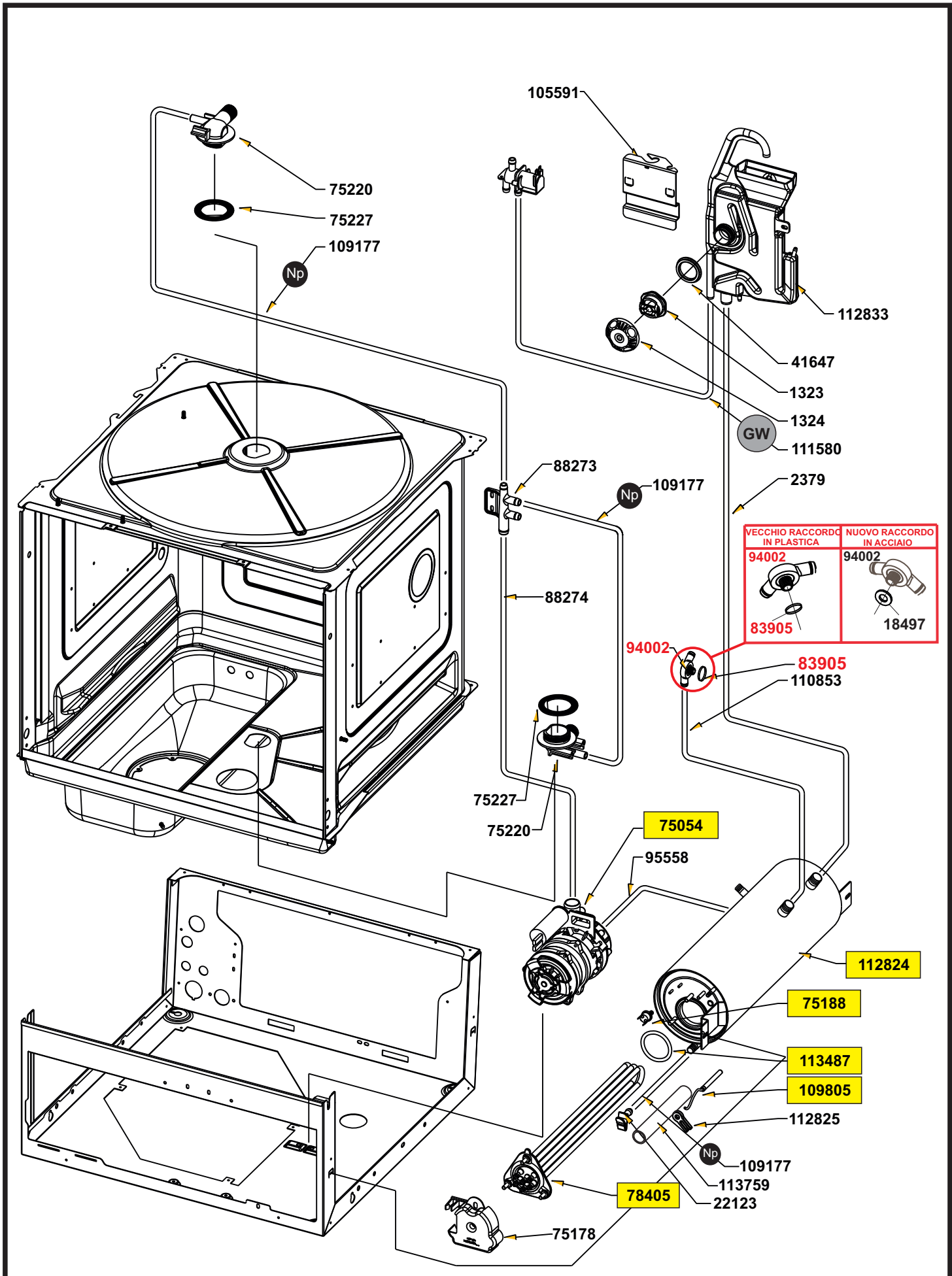
75185

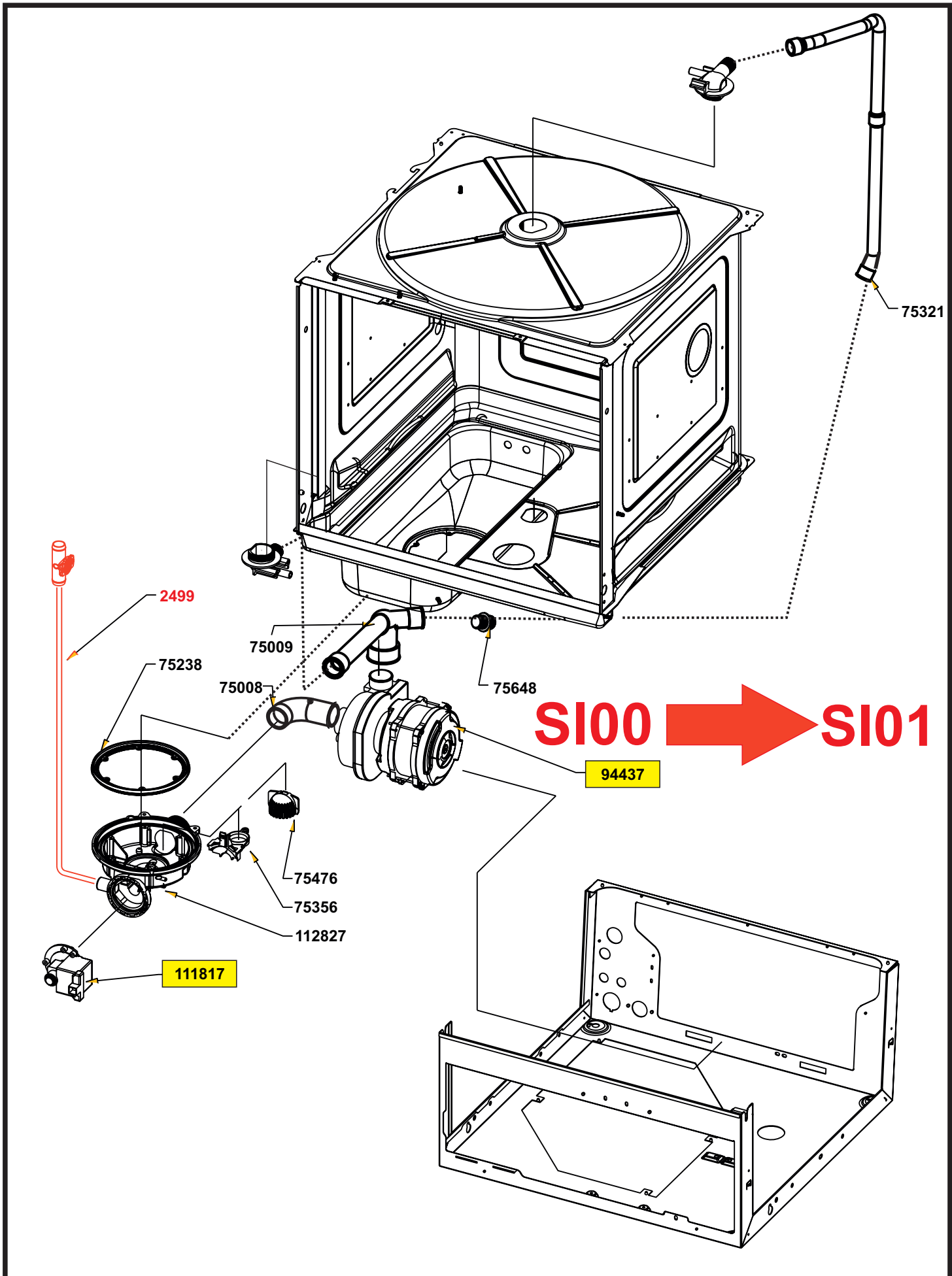


IT.	EN.	FR.
vas.	tank	cuve
sic.	safety	sécurité
boi.	boiler	boiler

SI00  **SI01**



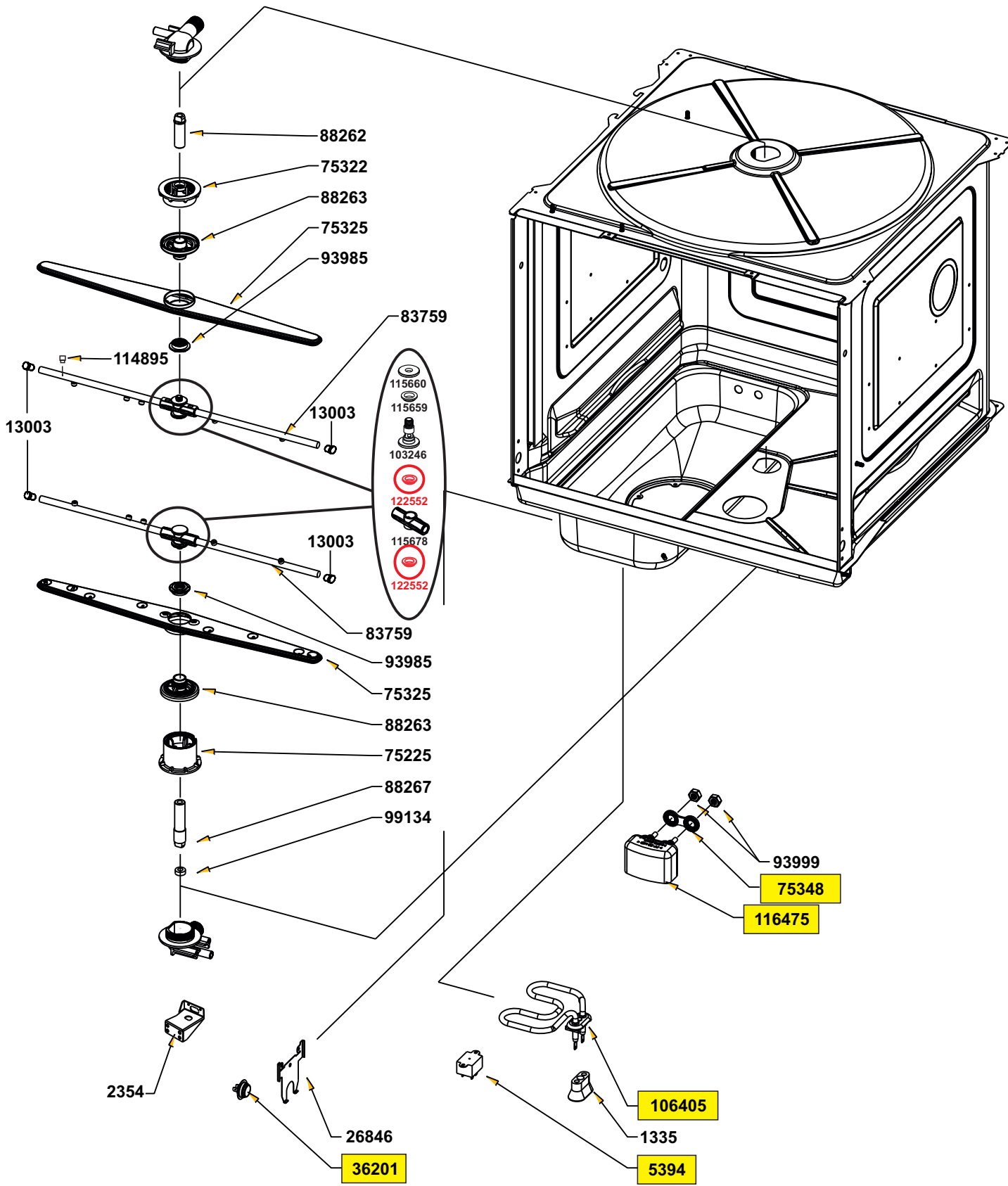


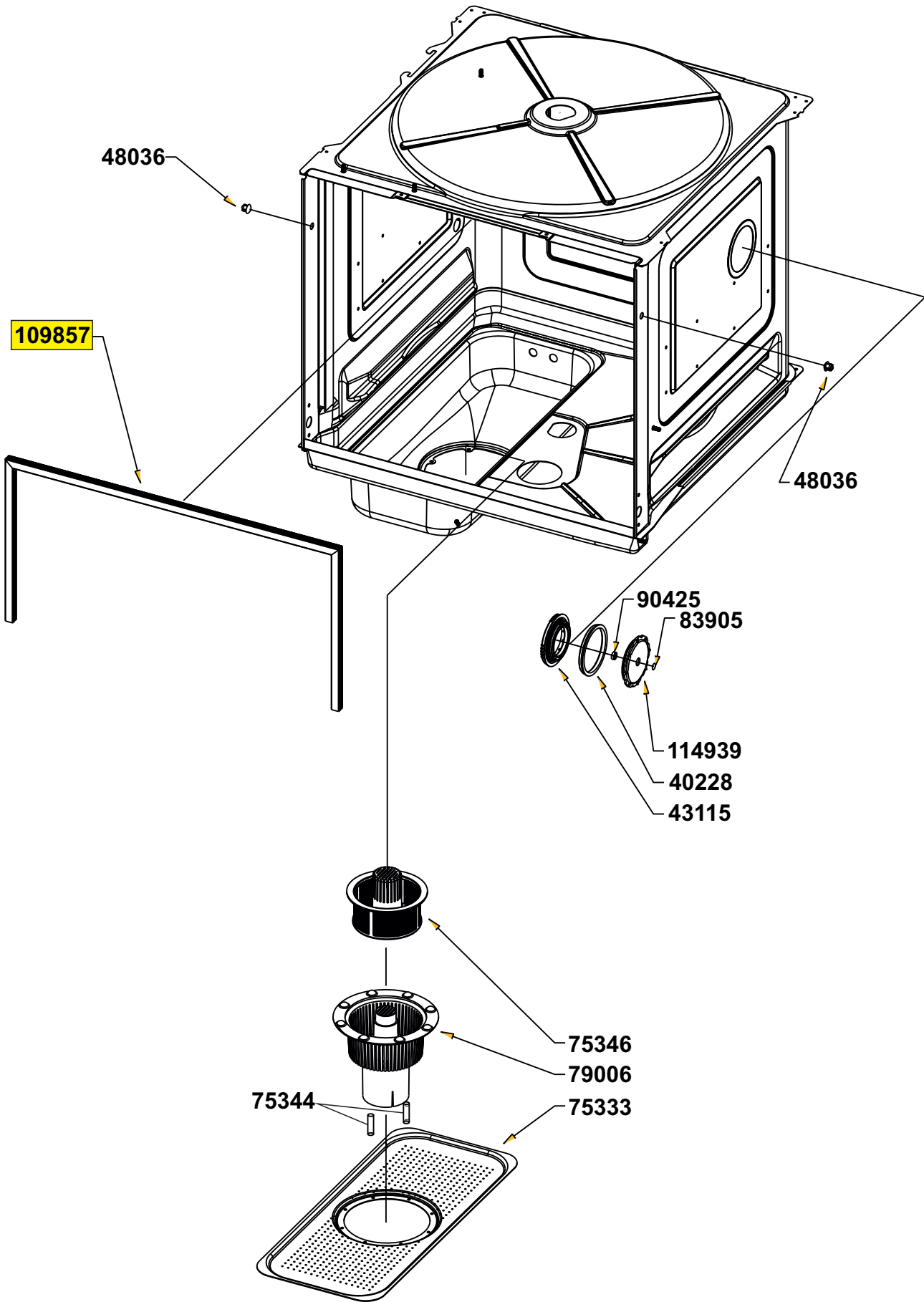


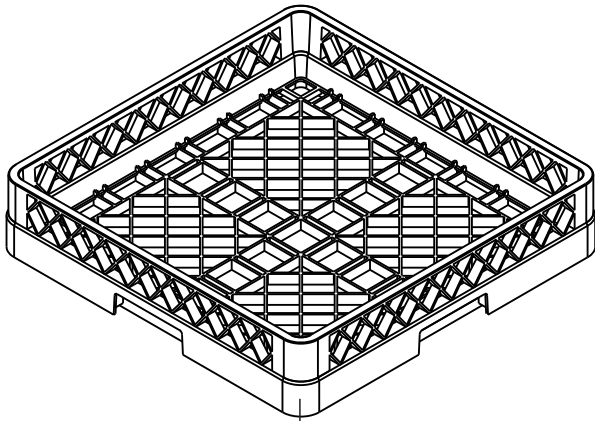
SI00 → **SI01**

94437

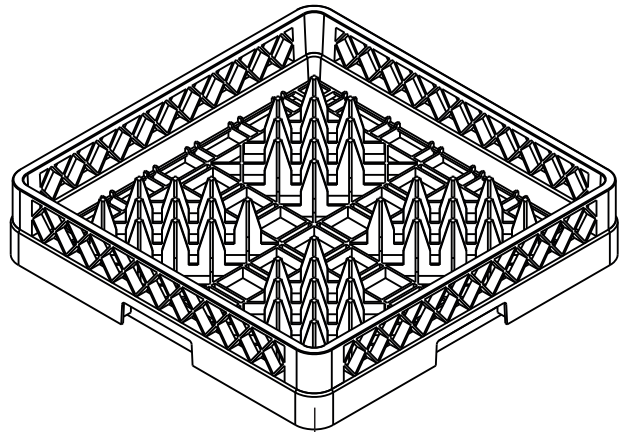
111817







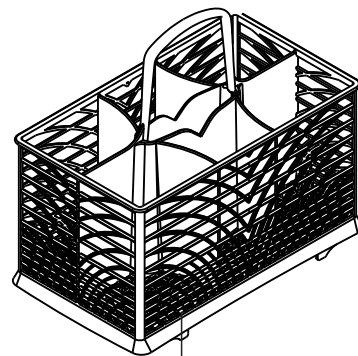
93412



93414



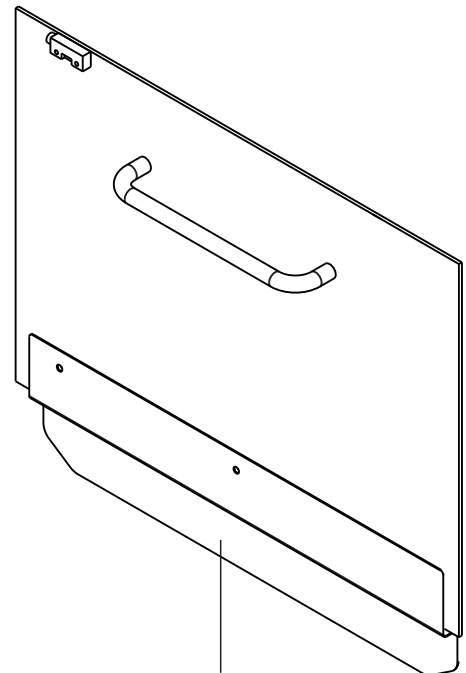
121676



66095

TUBI/HOSE/TUYAU/SCHLAUCH

TYPE	CODE	N.POS.	Qt./Mt.
Nw	758975344	115849	5
Gw	758975183	111580	5
Nt	758975181	111513	5
B	758975033	109144	5
Nd	758975036	109178	5
Np	758975035	109177	5
Wt	758975034	109176	5
Az	758975317	114953	5
Rs	758975318	114954	5



93465