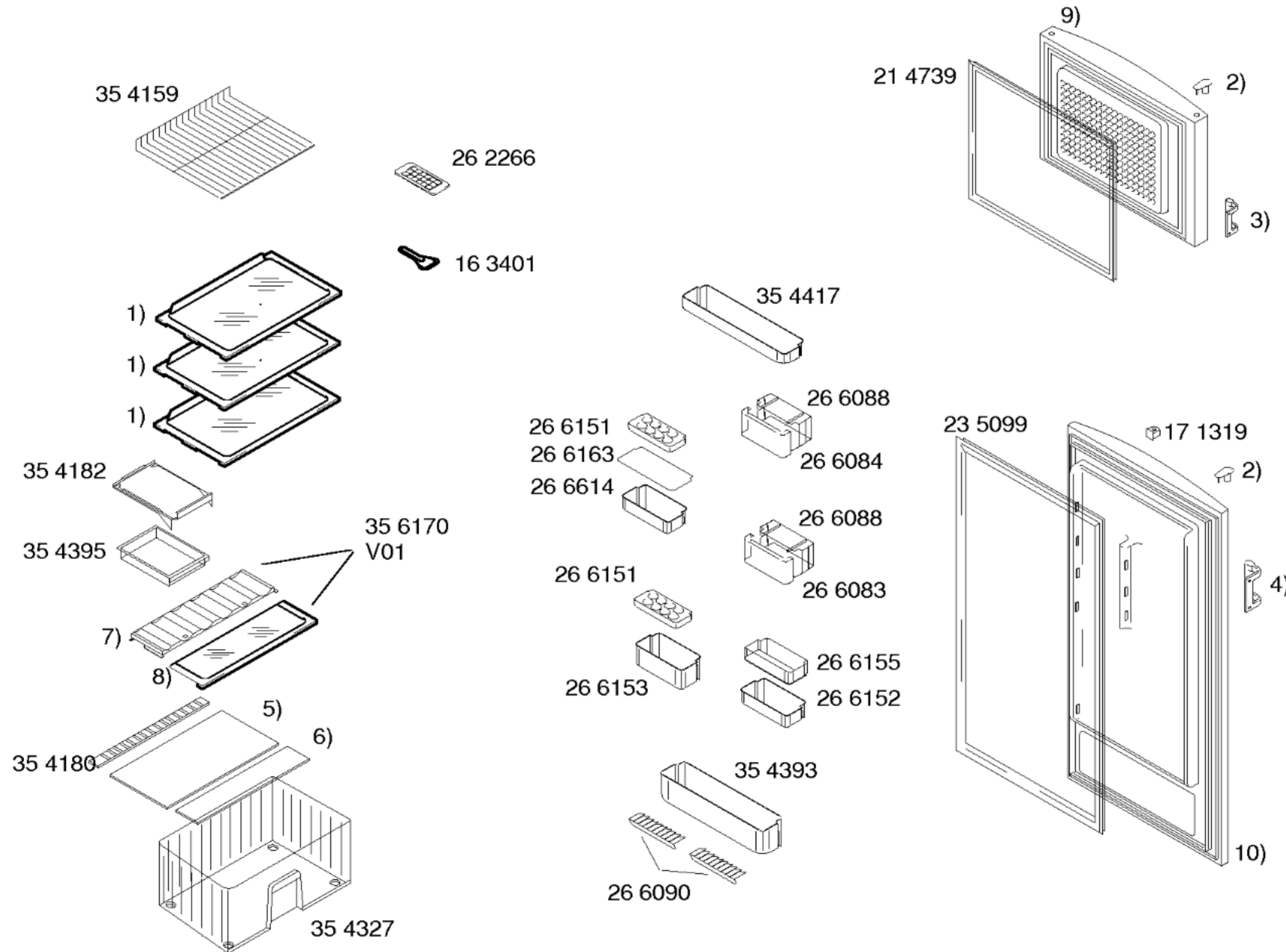
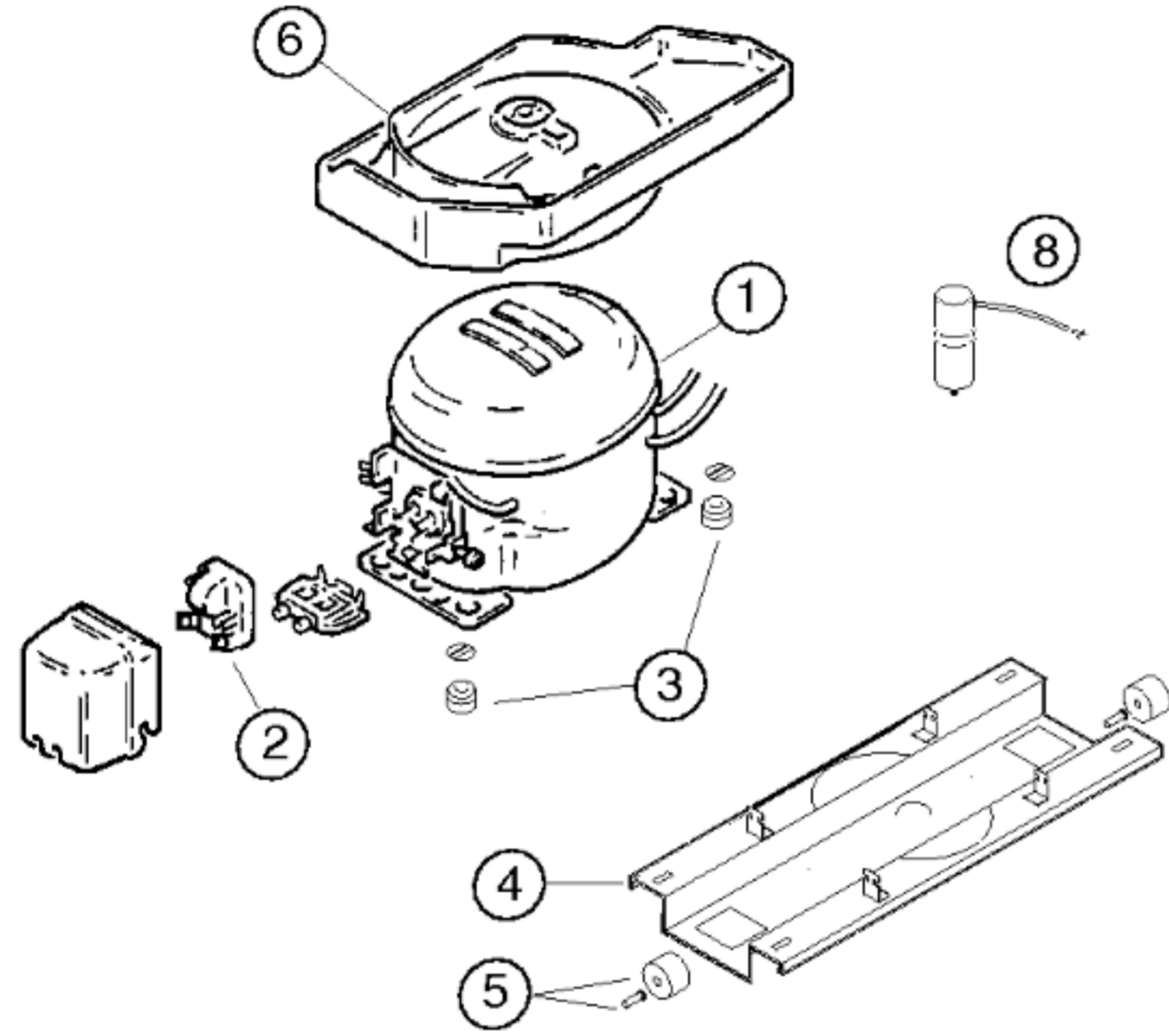


Gebrauchsanweisung  
 52 3268  
 (DE,GB,FR,NL,SE,  
 FI,NO,DK)

1) 17 2017  
 V01,V02,V03  
 18 2792  
 V04,V05,V06



- 1) 35 4422  
V01, V06  
36 0392  
V02, V03, V04, V05
- 2) 17 1321
- 3) 26 6075  
V01, V02  
48 0520  
V03, V04, V05, V06
- 4) 26 6076  
V01, V02  
48 0519  
V03, V04, V05, V06
- 5) 35 4178  
V01, V02, V03, V04  
35 9733  
V05, V06
- 6) 35 4394  
V01, V02, V03, V04  
35 9735  
V05, V06
- 7) 35 4184  
V02, V03, V04, V05  
V06
- 8) 36 0394  
V02, V03, V04, V05  
V06
- 9) 21 4819  
V01, V02  
21 7009  
V03, V04, V05, V06
- 10) 23 5182  
V01, V02  
23 6399  
V03, V04, V05, V06



Pos.	Danfoss		
	NLY13K		
1	14 2045		
2	16 5570		
3	16 3427		
4	35 4158		
5	17 1318		
6	26 5327		
7	17 1519		
8	17 4093		
9			
10			
11			
12			

TECHNISCHE DATEN/TECHNICAL DATA/TEKNIK BILGILER			
Verdichter/Compressor/Kompresör Typ/Type/Tip Förderleistung/Delivery/Verim/h Anlaufstrom/Starting current/Giris akimi Widerstand/Resistance/Rezistans Ha/ Hi/aux.	A Ohm	Danfoss NLY13K 6.1/11.3 11 9	
Temp.Reyler/Thermostat/Termostat Typ/Type/Tip Reglerstellung/Position/Termostat pozisyonu Schaltwerte/Acma kapama degerleri Valeurs de commutation/Termostat degeri (..abtaven' od)	..ein/acma °C ..aus"/kapama ..alarm'	K59/P6834	
Füllmenge/Fill. quantity/ Dolum miktarı	R600 g	*	
Anschlusswert/Comm. load/Giris gucu	W	*	
Heizung/Heater/Rezistans Widerstand/Resistance/Direnc Leistung/Power/Guc	Ohm W		
Ventilador/Blower/Vantilatör Widerstand/Resistance/Rezistans	Ohm		
Magnetventil/Magnetic valve/Manyetik valf Widerstand/Resistance/Rezistans Spannung/Voltage/Gerilim	Ohm V		
Temp.Reyler/Thermostat/Termostat			

\* Siehe Typenschild/Mamul etiketine bakiniz